



NOTES:-

REFER TO EXCEL NO. (5)

DATE: 11-2011

FOR CONSTRUCTION

Revisions

Date

Sign

0

11-2011

IV

Scale: AS SHOWN

Drawing no:

Date: 11-2011

Drawn: E.S.AAD

Checked: E.S.AAD

0

Job no: C7A-0601 / GC-10345

Stage: 1

Phase: IV

Scale: AS SHOWN

Drawing no:

Date: 11-2011

Drawn: E.S.AAD

Checked: E.S.AAD

0

Job no: C7A-0601 / GC-10345

Stage: 1

Phase: IV

Scale: AS SHOWN

Drawing no:

Date: 11-2011

Drawn: E.S.AAD

Checked: E.S.AAD

0

Job no: C7A-0601 / GC-10345

Stage: 1

Phase: IV

Scale: AS SHOWN

Drawing no:

Date: 11-2011

Drawn: E.S.AAD

Checked: E.S.AAD

0

Job no: C7A-0601 / GC-10345

Stage: 1

Phase: IV

Scale: AS SHOWN

Drawing no:

Date: 11-2011

Drawn: E.S.AAD

Checked: E.S.AAD

0

Job no: C7A-0601 / GC-10345

Stage: 1

Phase: IV

Scale: AS SHOWN

Drawing no:

Date: 11-2011

Drawn: E.S.AAD

Checked: E.S.AAD

0

Job no: C7A-0601 / GC-10345

Stage: 1

Phase: IV

Scale: AS SHOWN

Drawing no:

Date: 11-2011

Drawn: E.S.AAD

Checked: E.S.AAD

0

Job no: C7A-0601 / GC-10345

Stage: 1

Phase: IV

Scale: AS SHOWN

Drawing no:

Date: 11-2011

Drawn: E.S.AAD

Checked: E.S.AAD

0

Job no: C7A-0601 / GC-10345

Stage: 1

Phase: IV

Scale: AS SHOWN

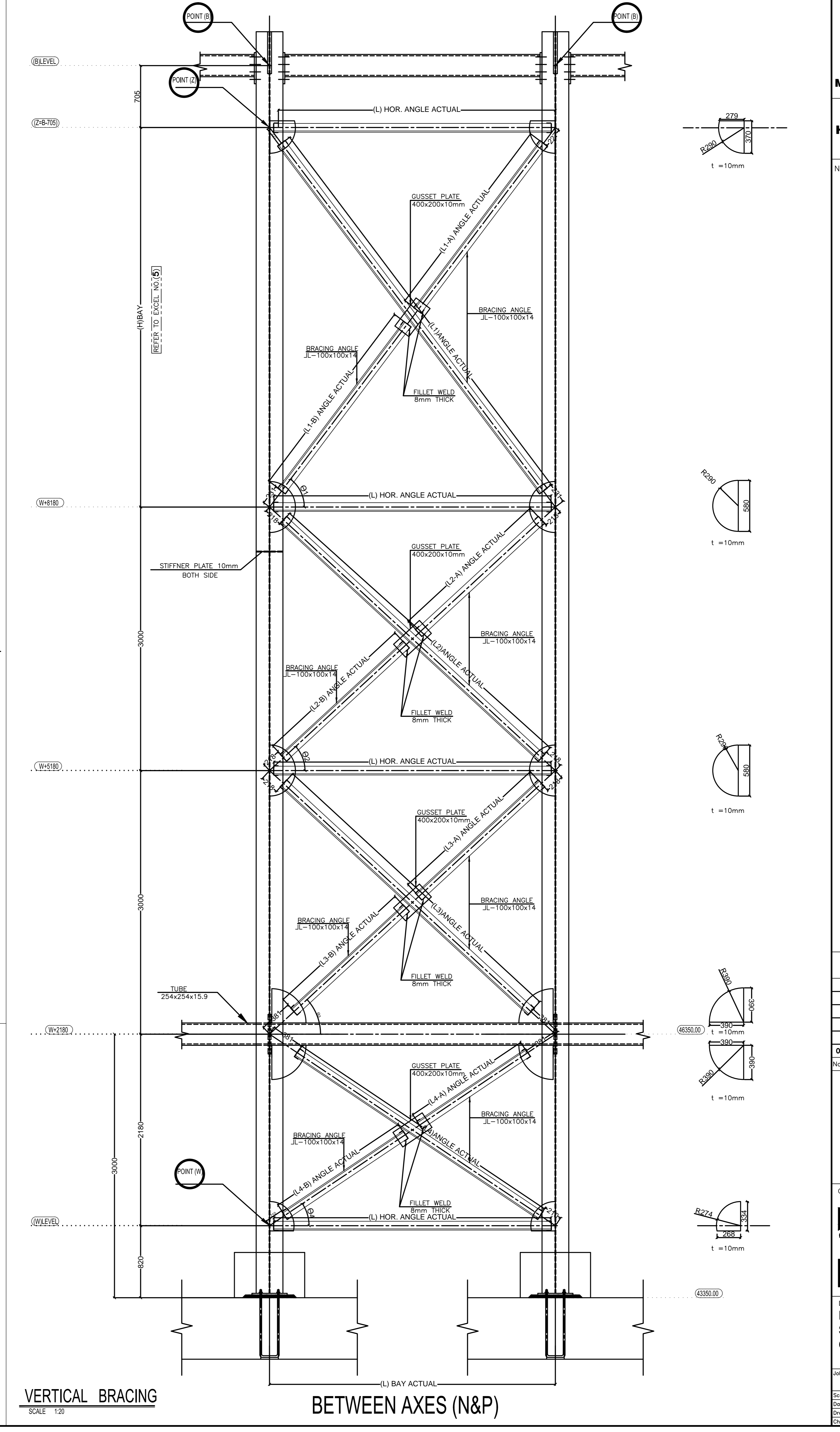
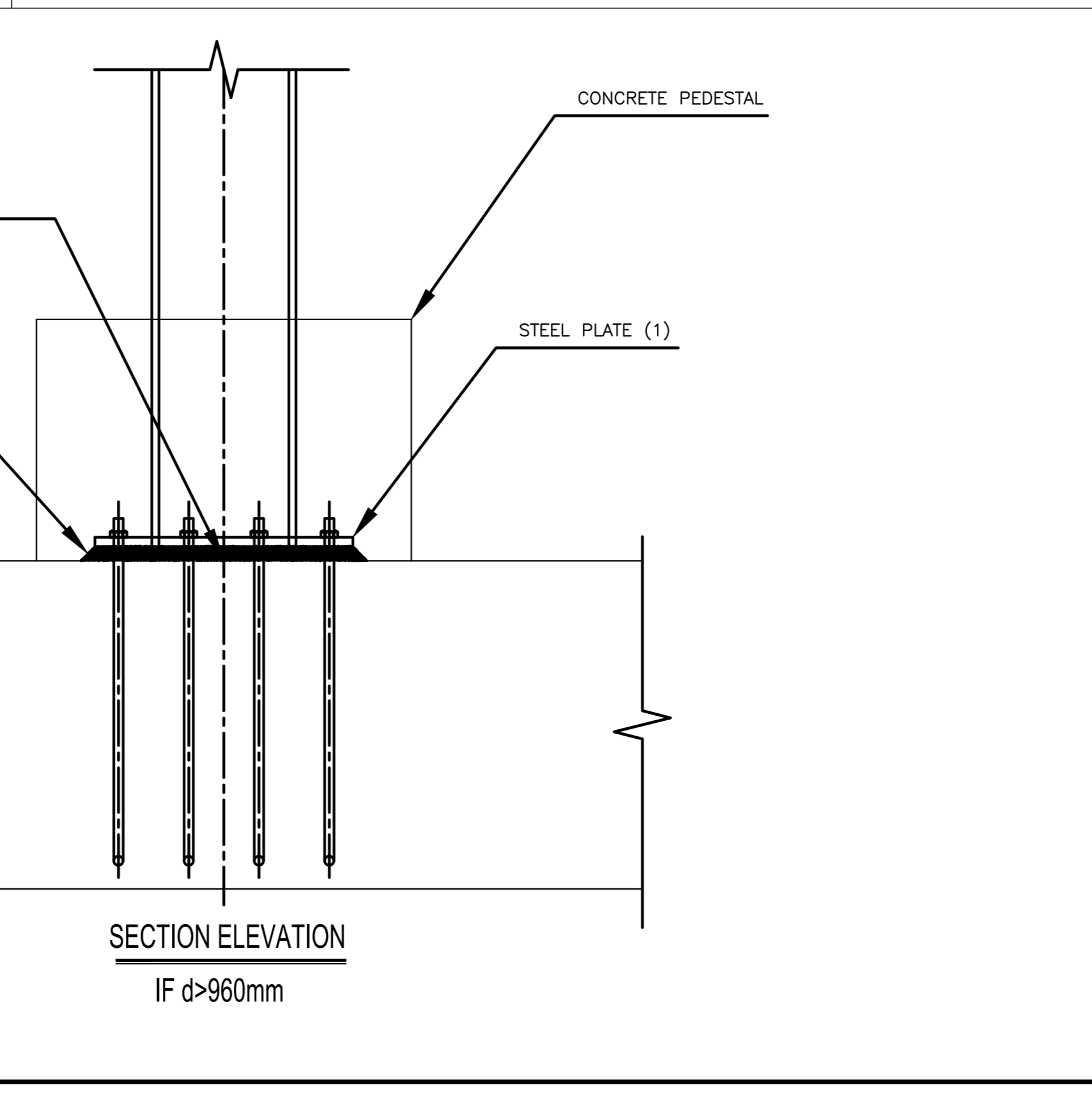
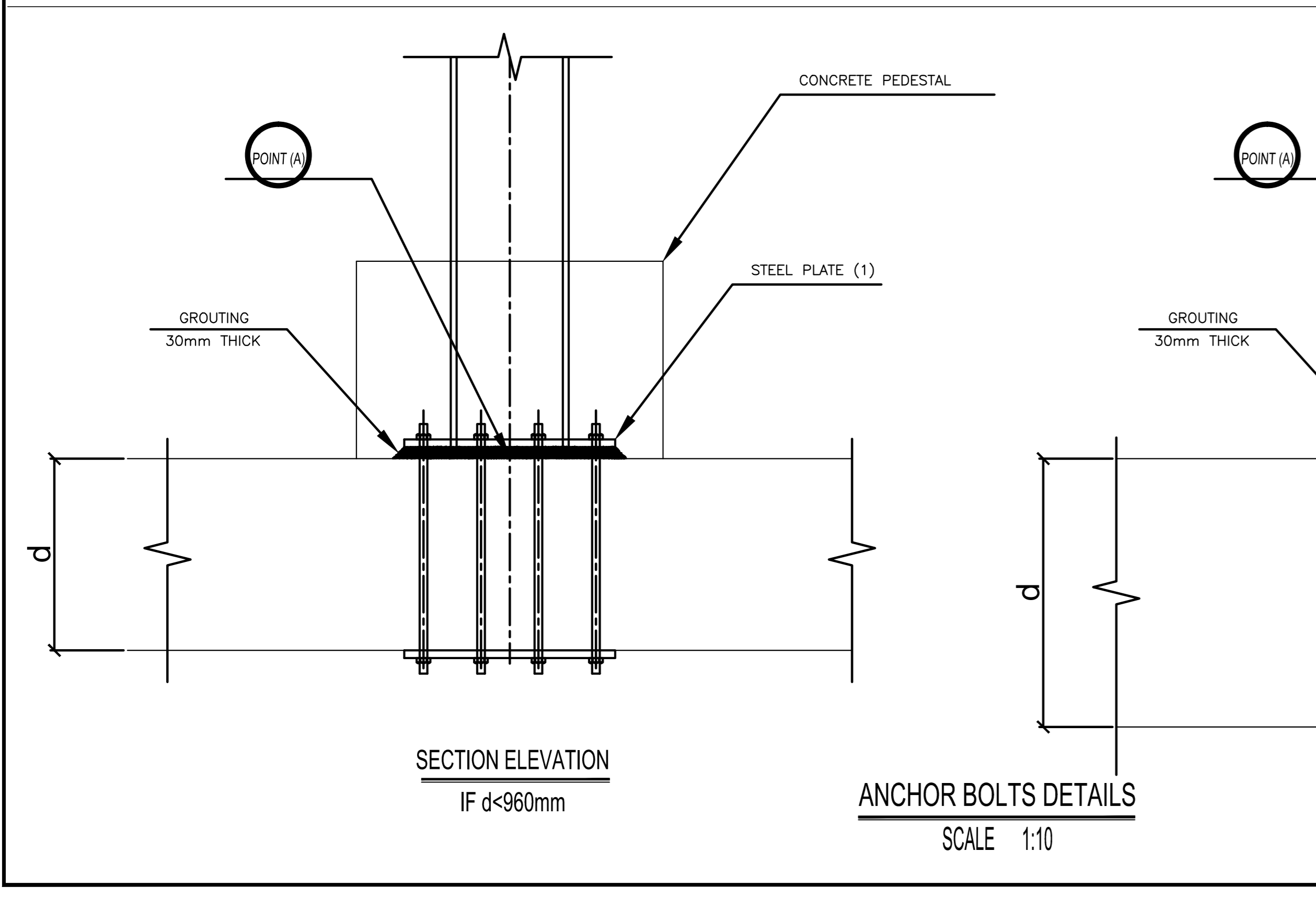
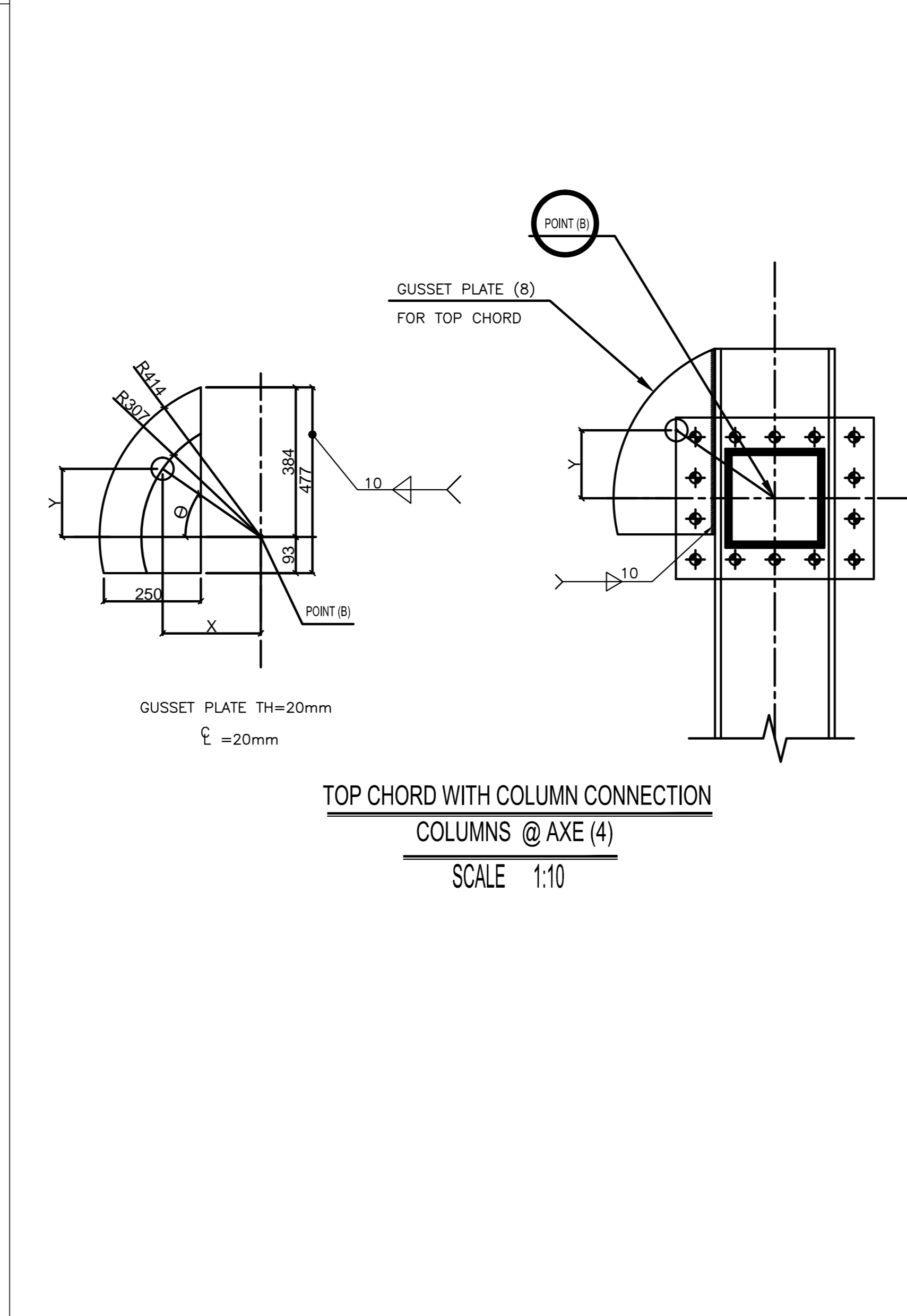
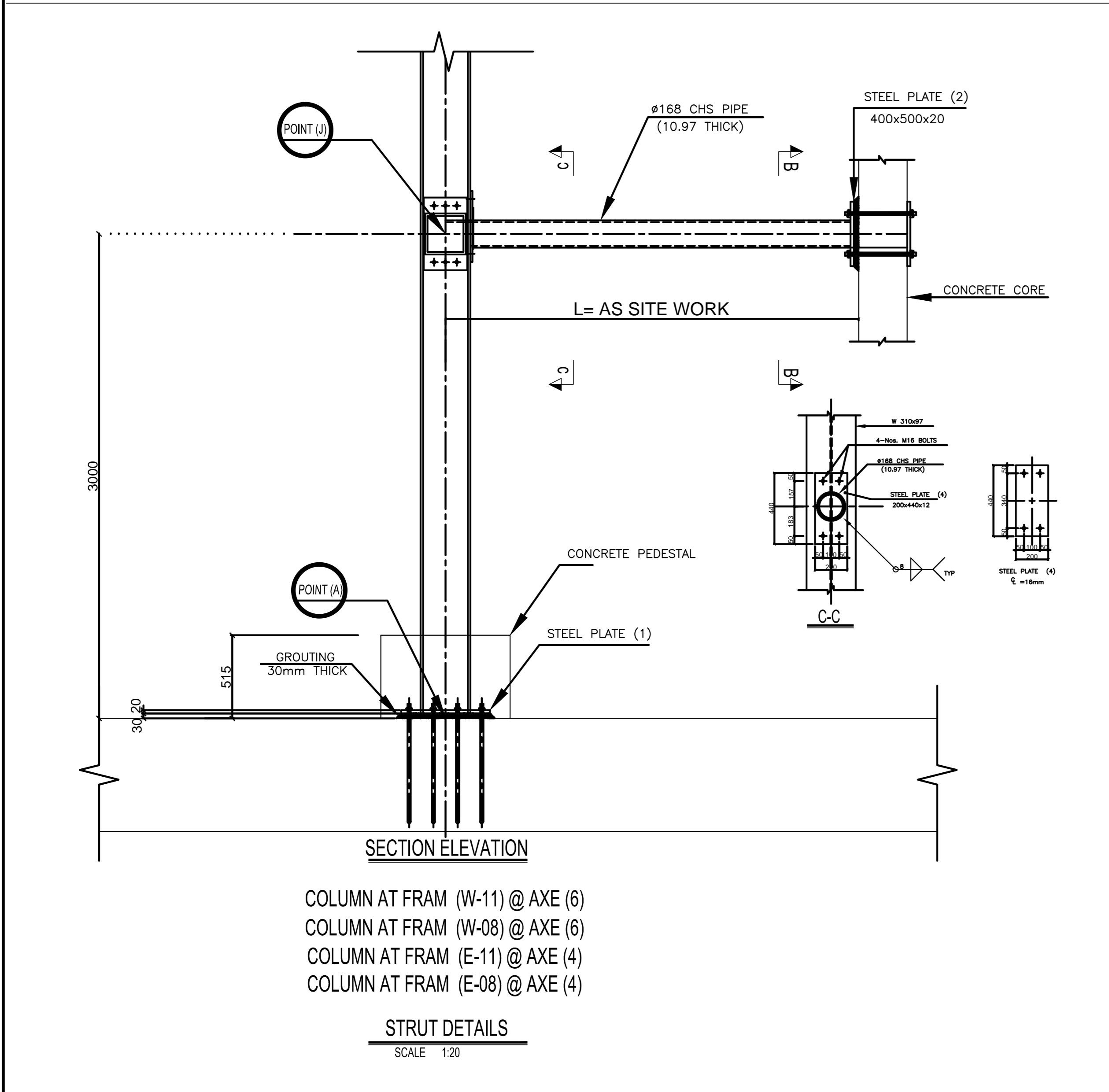
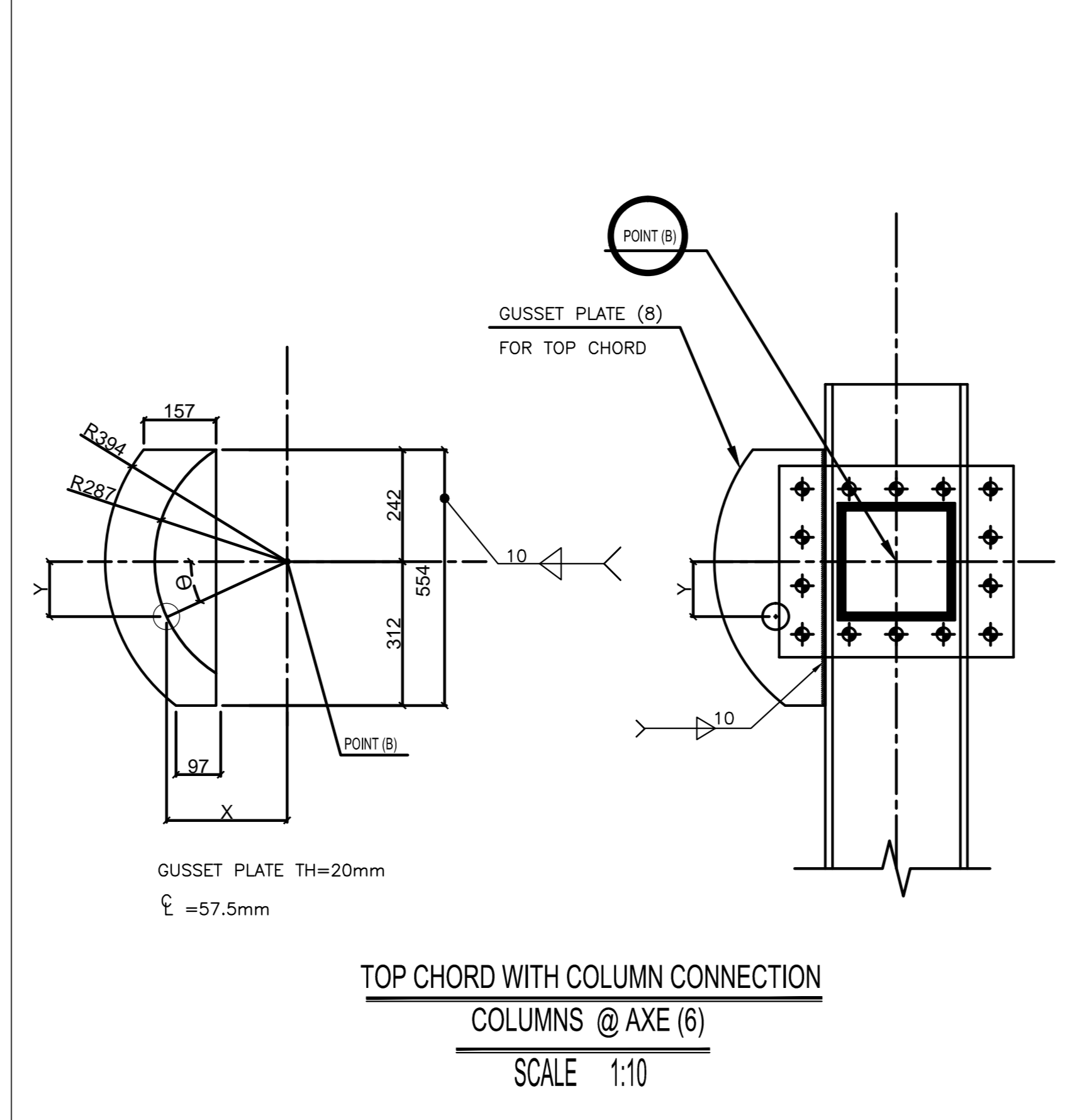
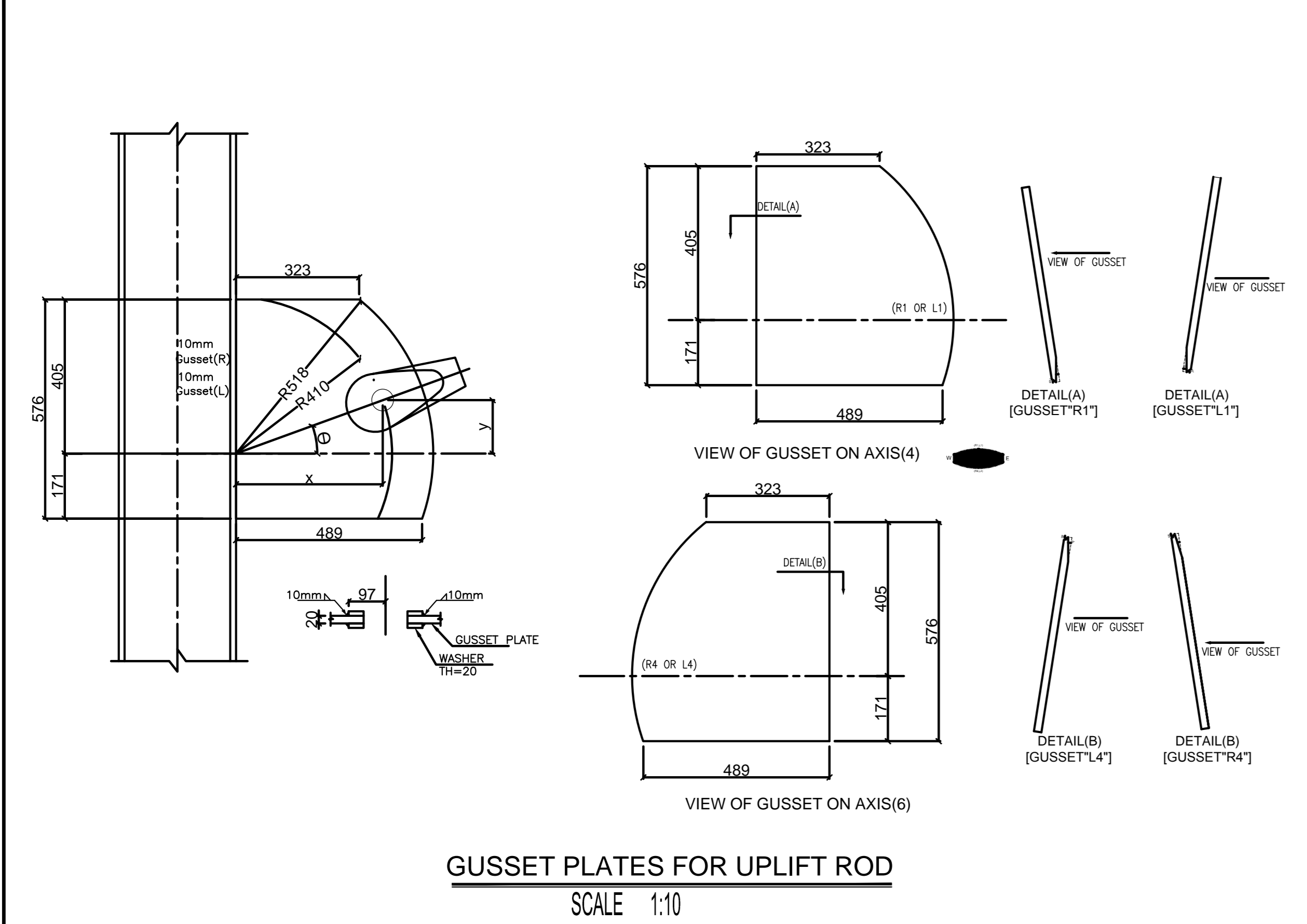
Drawing no:

Date: 11-2011

Drawn: E.S.AAD

Checked: E.S.AAD

0



DATUM LEVEL : ±00.00 F.F.L. = 43.75

No.	Revisions	Date	Sign
0	FOR CONSTRUCTION	11-2011	



**Namaa Consult**  
11 Mohamed Ismail St. - Al-Farm - Oiza - Egypt  
+2-0202272 / fax +2-0202247

Consultant

**Cambridge Seven Associates, Inc.**  
1059 Massachusetts Ave. Cambridge, MA 02138  
617-492-7000 Fax 617-492-7007 www.c7a.com

In Association with

**Gulf Consult**  
Shuwailh Industrial Area Street No. 5 Building No. 146  
Kuwait 965 484-3565 Fax 484-9532

Drawing Title  
**ROOF STEEL  
STRUCTURAL DETAILS  
COLUMNS DETAILS SHEET-5**

Job no:	Stage:	Phase:
C7A-0601 / GC-10345	1	IV

Scale: AS SHOWN  
Date: 11-2011  
Drawn: E.S.AAD  
Checked: E.S.AAD