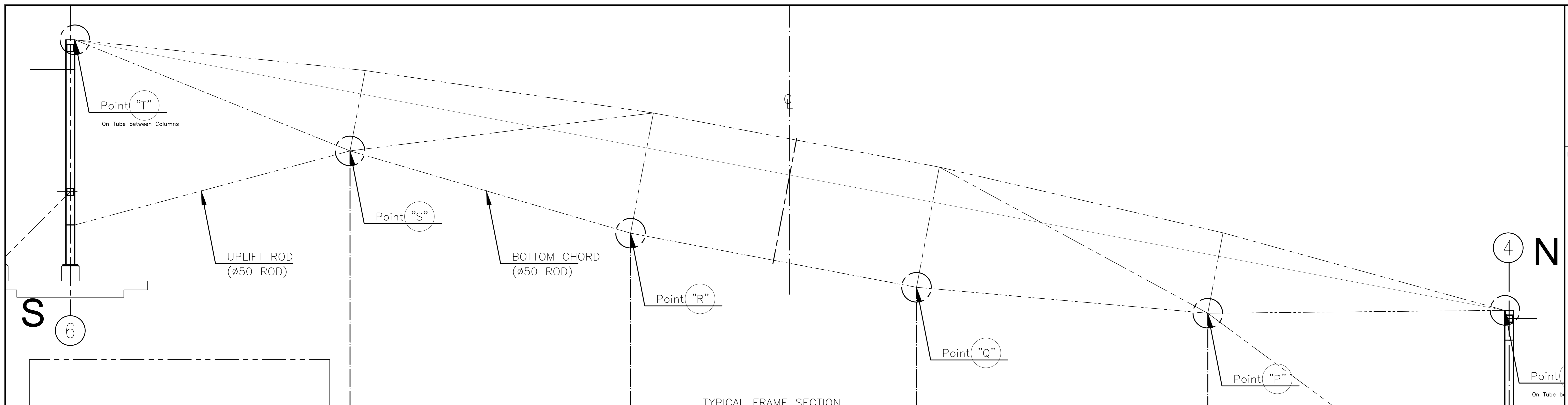
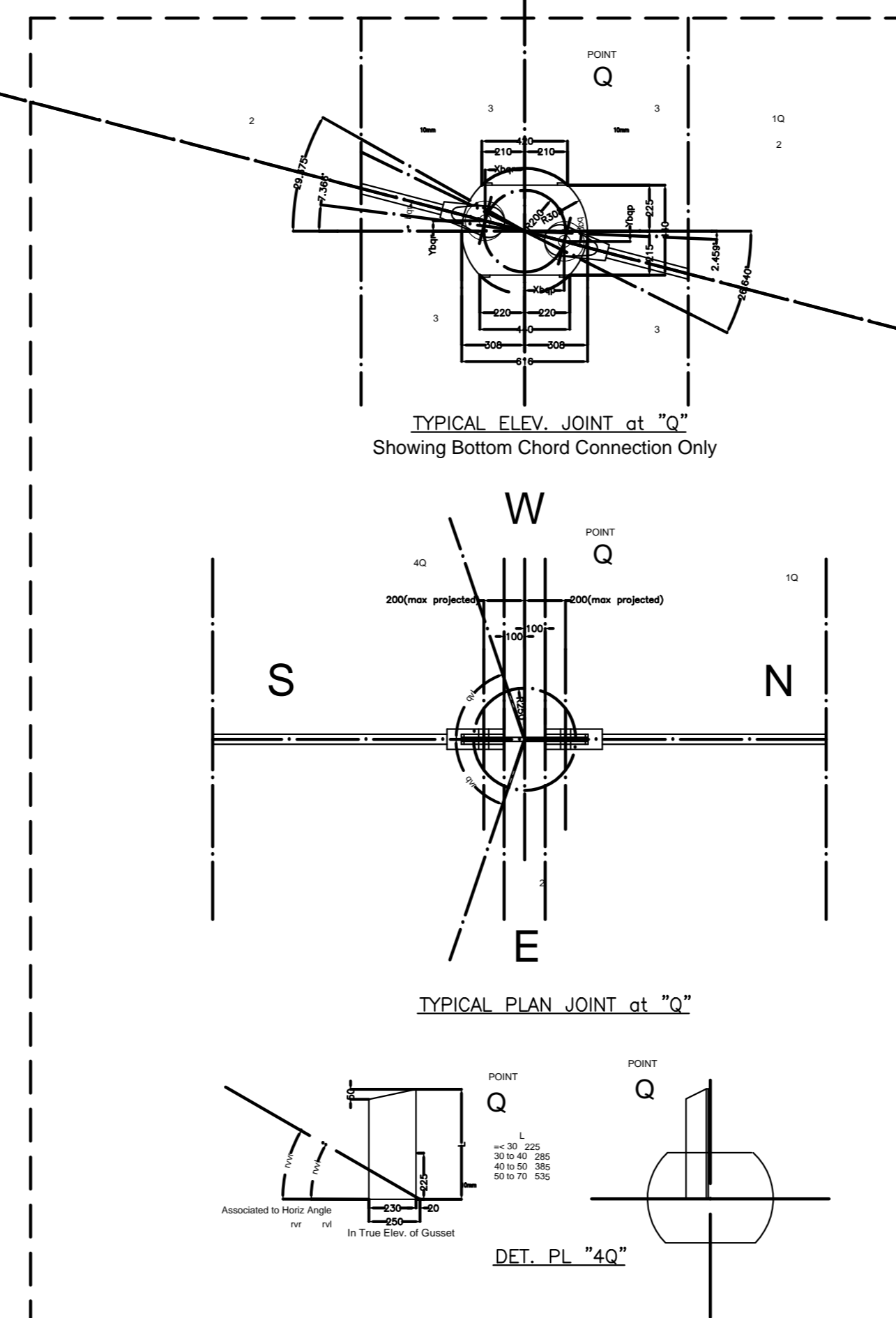
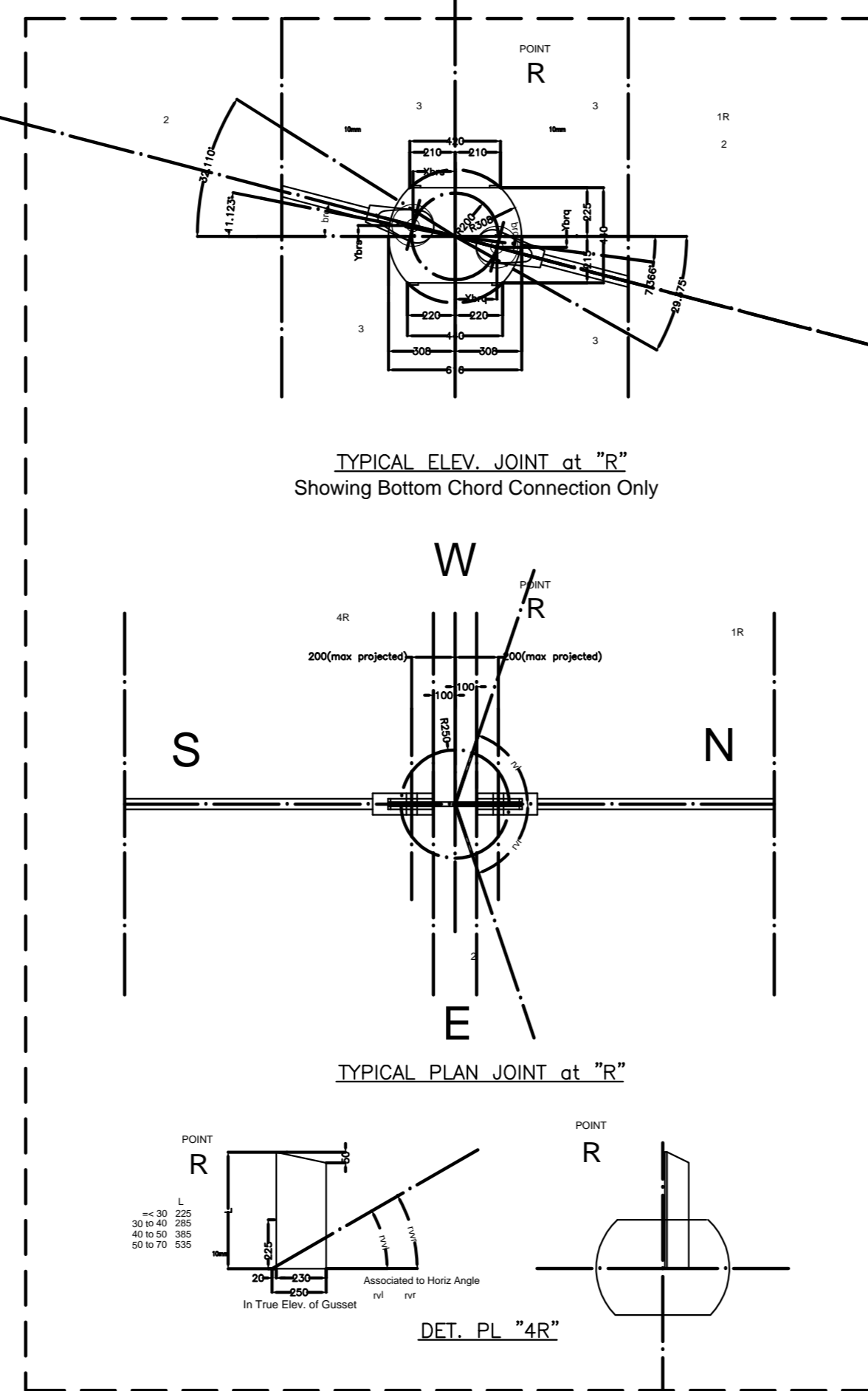
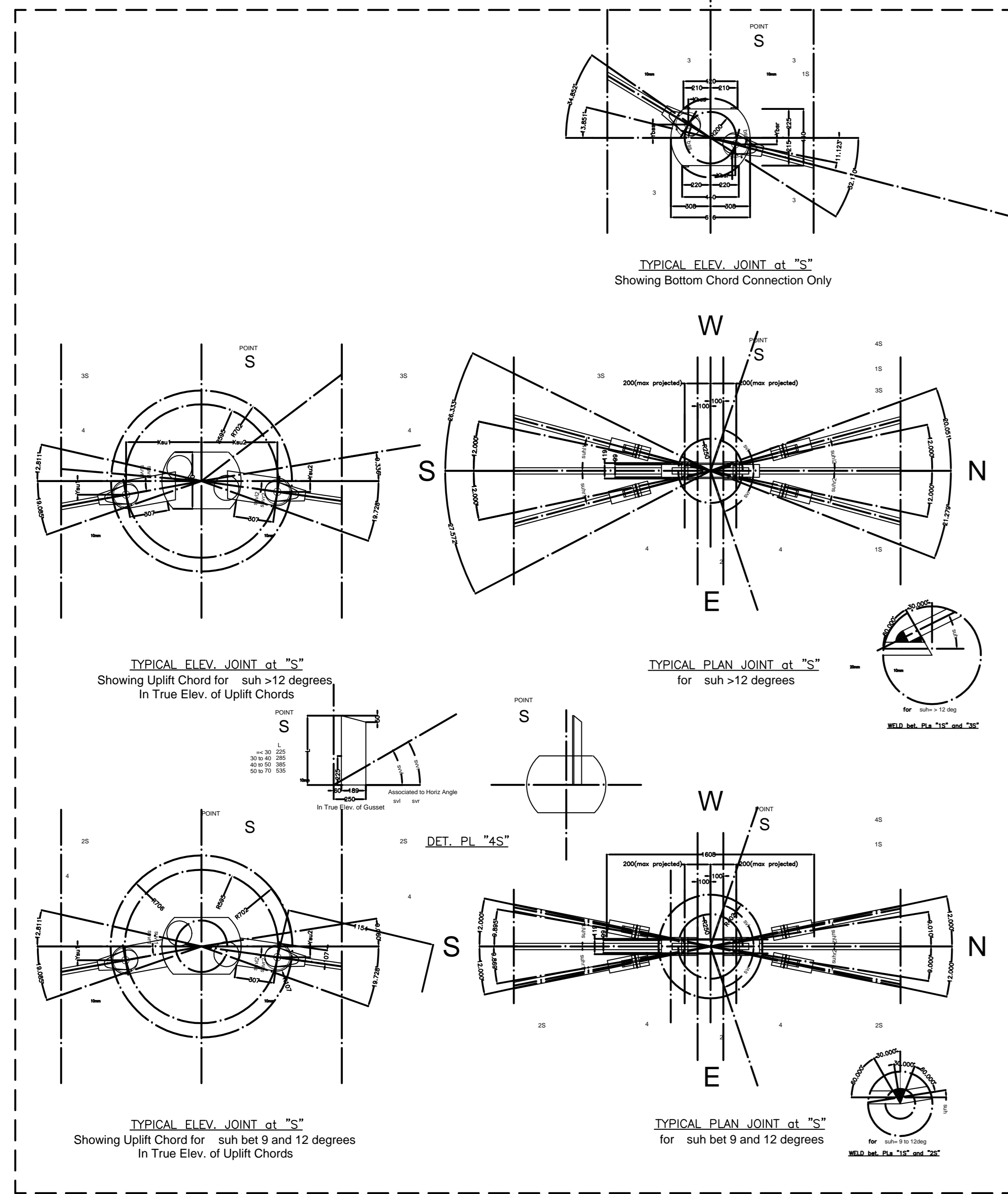




NOTES:-



TYPICAL FRAME SECTION
SCALE 1:50



TYPICAL CONNECTIONS for BOTTOM CHORD
SCALE 1:25

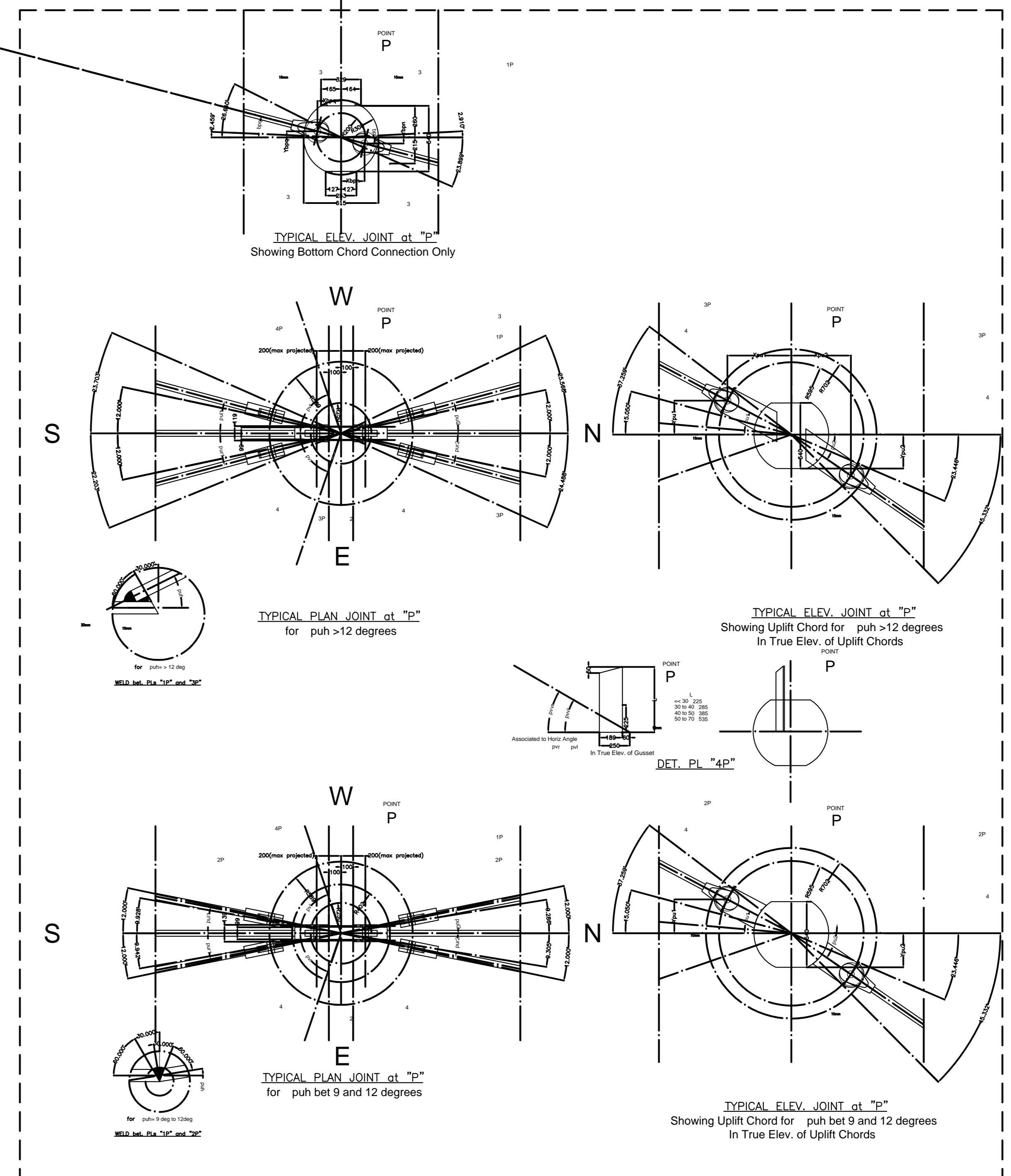


PLATE "1X"
PL = 99X50X10
(Connecting Pl between 2 "1S")
(Connecting Pl between 2 "1P")
(welded inside fillet 8mm)

PLATE "2S" = 413x214x10
(4 per joint)
(for suh bet 9 and 12 degrees)

PLATE "2P" = 413x214x10
(4 per joint)
(for puh bet 9 and 12 degrees)

PLATE "2"
PLATE Ø 194 th=12

PLATE "1S" = 616x440x20
(2 per joint)
(shown angles' values are the min and max)

PLATE "1R" = 616x440x20
(1 per joint)
(shown angles' values are the min and max)

PLATE "1Q" = 616x440x20
(1 per joint)
(shown angles' values are the min and max)

PLATE "1P" = 616x541x10
(2 per joint)
(shown angles' values are the min and max)

PLATE "3S" = 14x214x10
(4 per joint)
(for suh > 12 degrees)

PLATE "3P" = 14x214x10
(4 per joint)
(for puh > 12 degrees)

PLATE "4"
PLATE Ø 194 th=18
(Dimensions along actual vertical plane of uplift chord)

PLATES DESIGNATED "3X"
(Dimensions along actual vertical plane of uplift chord)

DATUM LEVEL : ±00.00 F.F.L. = 43.75

No.	Revisions	Date	Sign
0	FOR CONSTRUCTION	02/11/11	



All Rights Reserved
© Copyright 1999-2011, NAMAA
11 Street 4, Building No. 107, Hamad Bin Abdulaziz Road, Doha, Qatar
Tel Fax: (+974) 3338 0314 - 3338 0319
www.namaa.com.qa

Drawing Title

**UPLIFT and BOTTOM CHORD
CONNECTIONS**

Scale	AS Shown	Drawing no.	Revision
Scale	AS Shown	02/11/11	0
Date	02/11/11		
Drawn	E.K.		
Checked	E.K.		