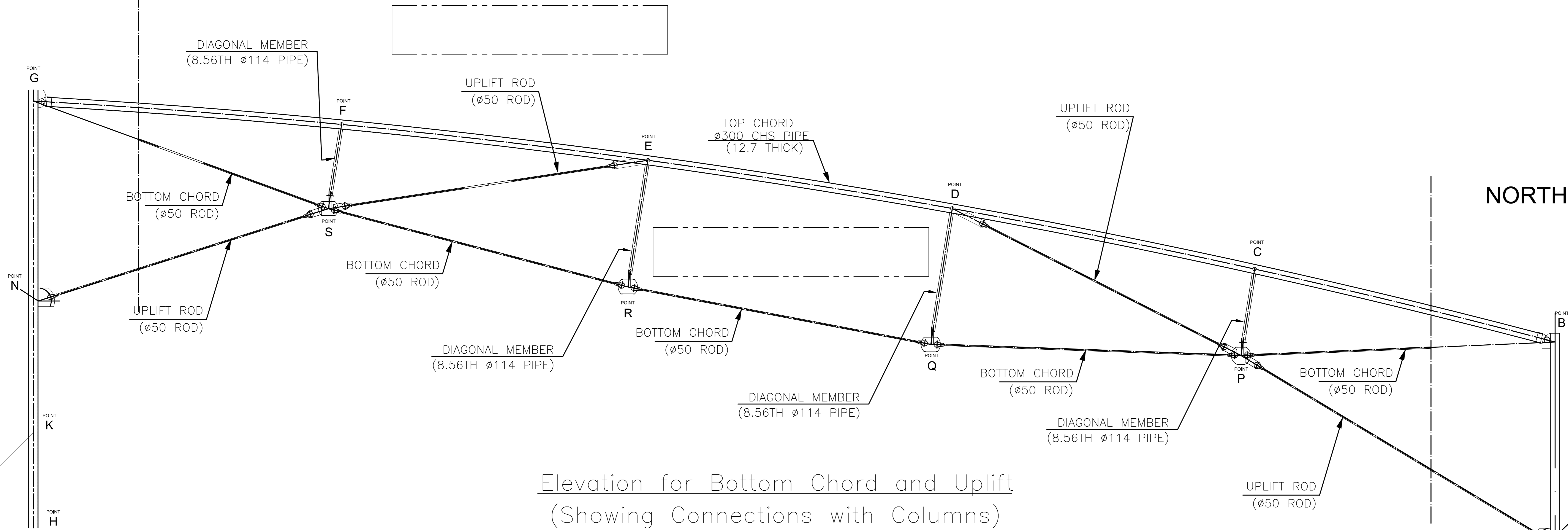




- NOTES:-
- FOR GENERAL NOTES AND DETAILS REFER DGS 50001 TO 50004
 - FOR VERTICAL BRACING CONNECTION DETAILS REFER DRG No. S4001
 - ANY MODIFICATIONS IN THE FIELD WOULD REQUIRE THE APPROVAL OF THE CONSULTANT AND THE DETAIL DRAWINGS PERSONNEL.
 - SHUTTERING AND SAFETY MEASUREMENTS IS A MUST FOR CRANES ARE LIMITED IN CAPACITY AND MEMBERS WOULD BE WELDED AT GREAT HEIGHTS.
 - THE BRACING'S SHOWN IN THESE DRAWINGS MAY BE REMOVED IF IT IS CONFLICTING WITH OTHER DISCIPLINES PROVIDED IT IS SUPPORTED WITH STRUCTURAL CALCULATIONS.
 - THE DESIGN OF ALL STEEL WORK TO BE CARRIED OUT USING AMERICAN INSTITUTE OF STEEL CONSTRUCTION (AISC) MANUAL THIRTEENTH EDITION.
 - ALL STRUCTURAL STEEL SHALL CONFORM TO ASTM A572 GRADE 50 WITH A MINIMUM YIELD STRENGTH OF 345 N/sq.mm.
 - ALL BOLTS SHALL BE HIGH STRENGTH BOLTS CONFORMING TO ASTM A325/A490.
 - ALL ANCHOR BOLTS SHALL CONFORM TO ASTM A325.
 - ALL WELDING SHALL CONFORM TO AMERICAN WELDING SOCIETY (AWS-D1.1).
 - PAINTING / FIRE TREATMENT TO BE EXECUTED AS PER SPECIFICATIONS LAD DOWN IN THE CONTRACT OR AS DIRECTED BY ENGINEER.
 - SIZE OF SECTIONS SHOWN ON DRAWINGS ARE MINIMAL AND SHALL NOT BE REDUCED.
 - THE DESIGN LOADS SHOULD BE AS PER IBC 2006 WITH DESIGN WIND SPEED OF 100 mph AND EXPOSURE CONDITION 'C'.
 - MINIMUM FILLET WELD SIZE TO BE 8MM.
 - ENDS OF THE BARS FOLLOW THE CONFIGURATION FOLLOW THE DIMENSIONS PROVIDED BY THE "MAGALLOY" OF EQUIVALENT. ANY MODIFICATIONS IN WIDTH WOULD REQUIRE RECALCULATIONS OR ADJUSTMENTS TO THE CONNECTIONS.
 - THE DETAILED DRAWINGS CONTAINS VARIABLE DIMENSIONS WHERE THEY DEPEND ON VARIABLE ANGLES. PLEASE NOTE THAT AND UNDERSTAND WELL BEFORE COMMENCING SHOP WORKS.

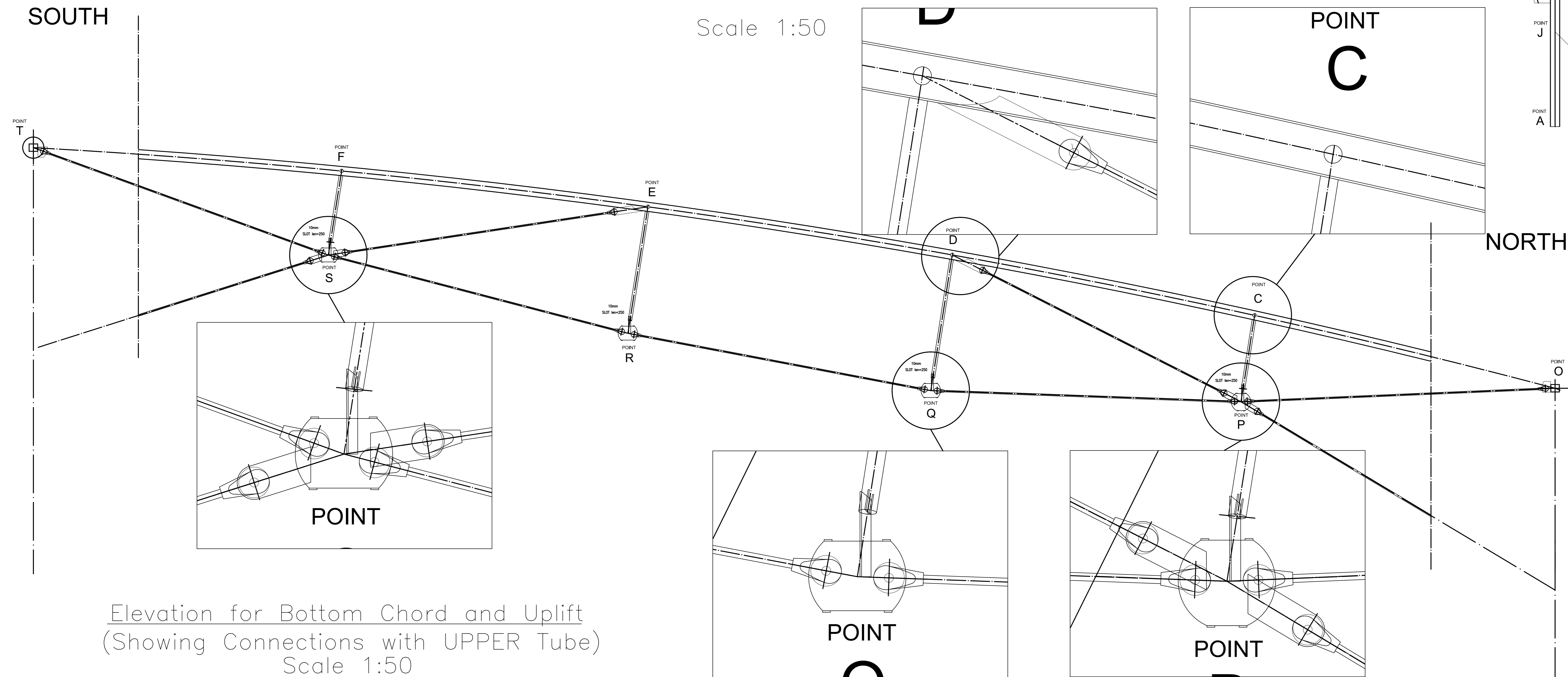
SOUTH



Elevation for Bottom Chord and Uplift
(Showing Connections with Columns)

Scale 1:50

SOUTH



Elevation for Bottom Chord and Uplift
(Showing Connections with UPPER Tube)
Scale 1:50

DATUM LEVEL : ±00.00 F.F.L. = 43.75

No.	Revisions	Date	Sign
0	FOR CONSTRUCTION	02/11/11	



At Forum : 11 Mohamed El-Mahdi El-Ghazal El-Helwan
 P.O. Box : 12241, P.O. Box : 243
 Tel No: (973) 2222-2222-2222-2222-2222
 11 Street Al-Rumayh St. Off. Ch. St. Behind Durrat Al-Bayha
 Tel No: (973) 2222-2222-2222-2222-2222
 info@namaconsult.com
 www.namaconsult.com

Drawing Title

UPLIFT and BOTTOM CHORD

Job no:	C7A-0601 / GC-10345	Stage	Phase
Scale	A3 Show	Drawing no:	
Date	10/2011	Checked by:	
Drawn by:		Checked by:	
			0